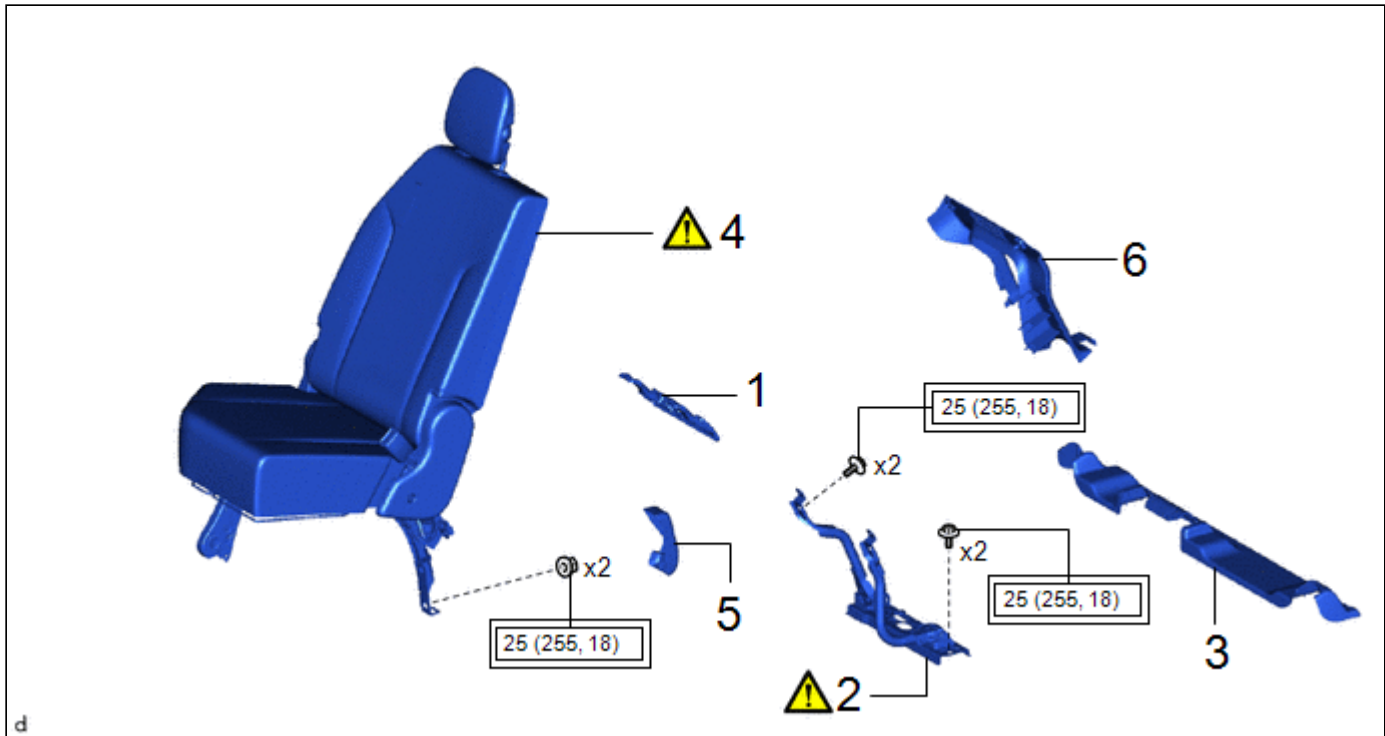


Last Modified: 05-04-2021	6.10:8.0.50	Doc ID: RM100000001NUH3
Model Year Start: 2021	Model: Sienna HV	Prod Date Range: [11/2020 -]
Title: SEAT: REAR NO. 2 SEAT ASSEMBLY (for 60/40 Split Seat Type RH Side): INSTALLATION; 2021 MY Sienna HV [11/2020 -]		

INSTALLATION

CAUTION / NOTICE / HINT



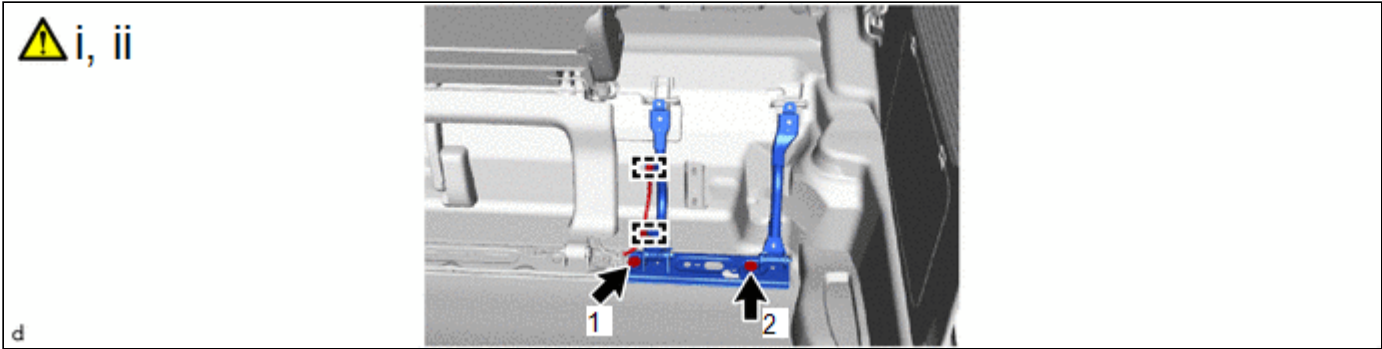
PROCEDURE		PART NAME CODE			
1	NO. 1 SEAT LEG BOX PROTECTOR	79997A	-	-	-
2	FOLD REAR SEAT LEG SUB-ASSEMBLY RH	79806C		-	-
3	REAR NO. 2 SEAT LEG SIDE GARNISH SUB-ASSEMBLY	79092C	-	-	-
4	REAR NO. 2 SEAT ASSEMBLY RH	-		-	-
5	REAR NO. 2 SEAT HINGE COVER RH	79273D	-	-	-
6	REAR SEAT LEG SIDE GARNISH SUB-ASSEMBLY RH	79091E	-	-	-

	Tightening torque for "Major areas involving basic vehicle performance such as moving/turning/stopping" : N*m (kgf*cm, ft.*lbf)	-	-
--	---	---	---

PROCEDURE

1. INSTALL NO. 1 SEAT LEG BOX PROTECTOR

2. INSTALL FOLD REAR SEAT LEG SUB-ASSEMBLY RH



(1) Install the fold rear seat leg sub-assembly RH with the 2 bolts.

Torque:

25 N·m {255 kgf·cm, 18 ft·lbf}

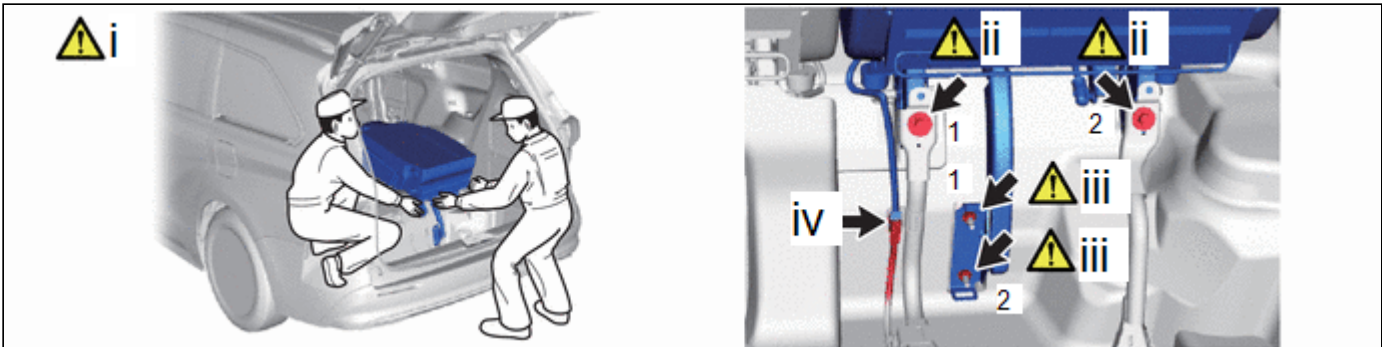
NOTICE:

Tighten the bolts in the order shown in the illustration.

(2) Engage the each clamp.

3. INSTALL REAR NO. 2 SEAT LEG SIDE GARNISH SUB-ASSEMBLY

4. INSTALL REAR NO. 2 SEAT ASSEMBLY RH



(1) Place the rear No. 2 seat assembly RH in the cabin.

NOTICE:

- 2 or more people are required when carrying the rear No. 2 seat assembly RH out of the vehicle.
- Be careful not to damage the vehicle body.

(2) Install the 2 bolts.

Torque:

25 N·m {255 kgf·cm, 18 ft·lbf}

NOTICE:

Tighten the bolts in the order shown in the illustration.

(3) Install the 2 nuts.

Torque:

25 N·m {255 kgf·cm, 18 ft·lbf}

NOTICE:

Tighten the nuts in the order shown in the illustration.

(4) Connect the connector.

5. INSTALL REAR NO. 2 SEAT HINGE COVER RH

6. INSTALL REAR SEAT LEG SIDE GARNISH SUB-ASSEMBLY RH

