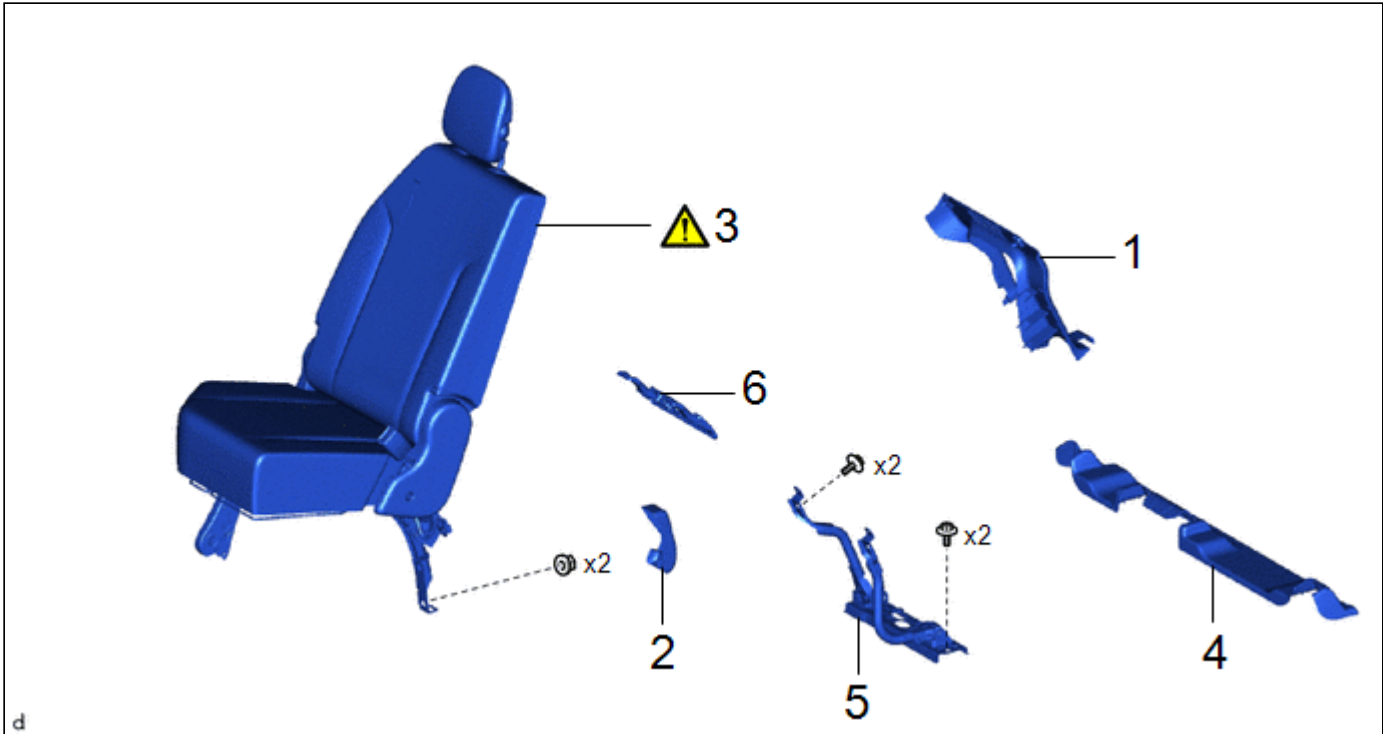





Last Modified: 05-04-2021	6.10:8.0.50	Doc ID: RM100000001NUH0
Model Year Start: 2021	Model: Sienna HV	Prod Date Range: [11/2020 -]
Title: SEAT: REAR NO. 2 SEAT ASSEMBLY (for 60/40 Split Seat Type RH Side): REMOVAL; 2021 MY Sienna HV [11/2020 -]		

REMOVAL

CAUTION / NOTICE / HINT

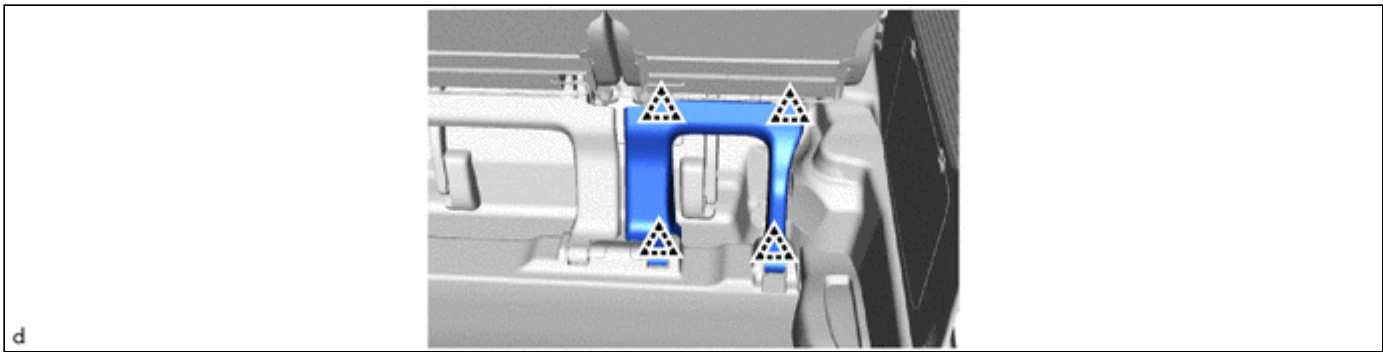
COMPONENTS (REMOVAL)



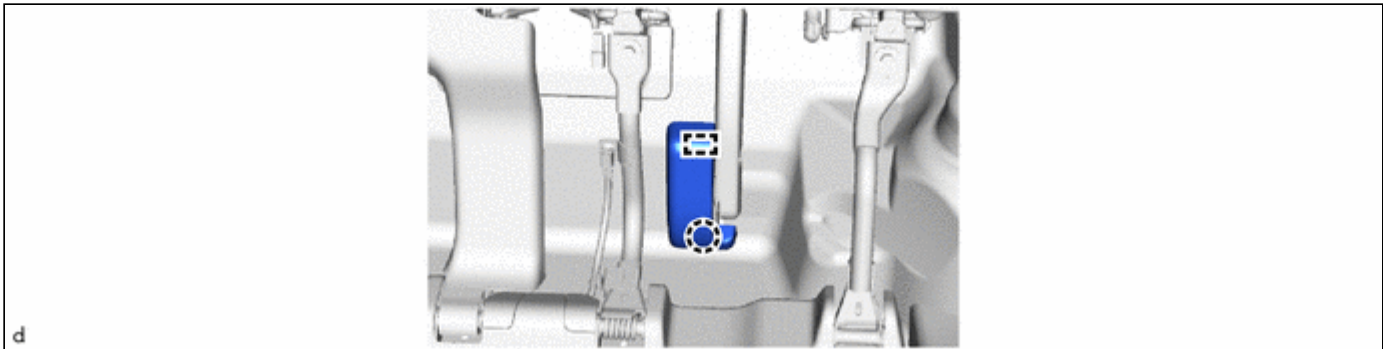
PROCEDURE		PART NAME CODE			
1	REAR SEAT LEG SIDE GARNISH SUB-ASSEMBLY RH	79091E	-	-	-
2	REAR NO. 2 SEAT HINGE COVER RH	79273D	-	-	-
3	REAR NO. 2 SEAT ASSEMBLY RH	-	-	-	-
4	REAR NO. 2 SEAT LEG SIDE GARNISH SUB-ASSEMBLY	79092C	-	-	-
5	FOLD REAR SEAT LEG SUB-ASSEMBLY RH	79806C	-	-	-
6	NO. 1 SEAT LEG BOX PROTECTOR	79997A	-	-	-

PROCEDURE

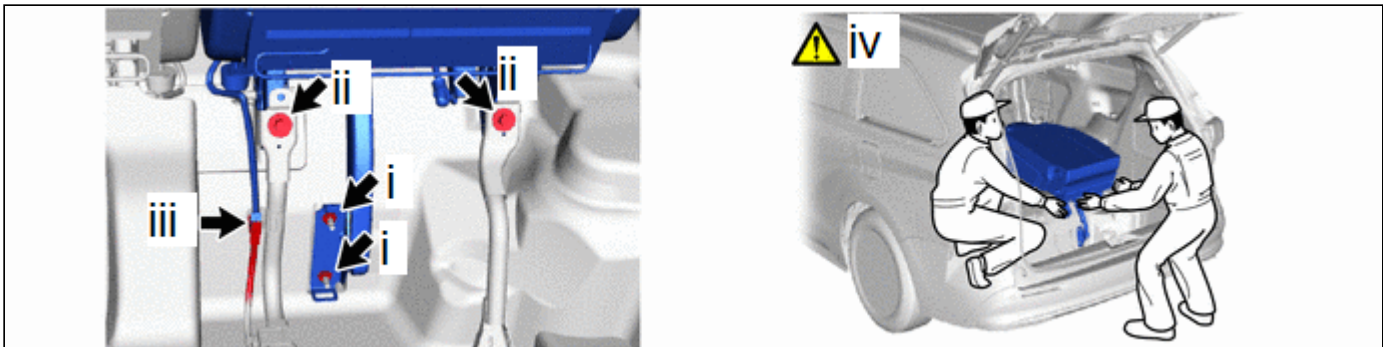
1. REMOVE REAR SEAT LEG SIDE GARNISH SUB-ASSEMBLY RH



2. REMOVE REAR NO. 2 SEAT HINGE COVER RH



3. REMOVE REAR NO. 2 SEAT ASSEMBLY RH



- (1) Remove the 2 nuts.
- (2) Remove the 2 bolts.
- (3) Disconnect the connector.
- (4) Remove the rear No. 2 seat assembly RH.

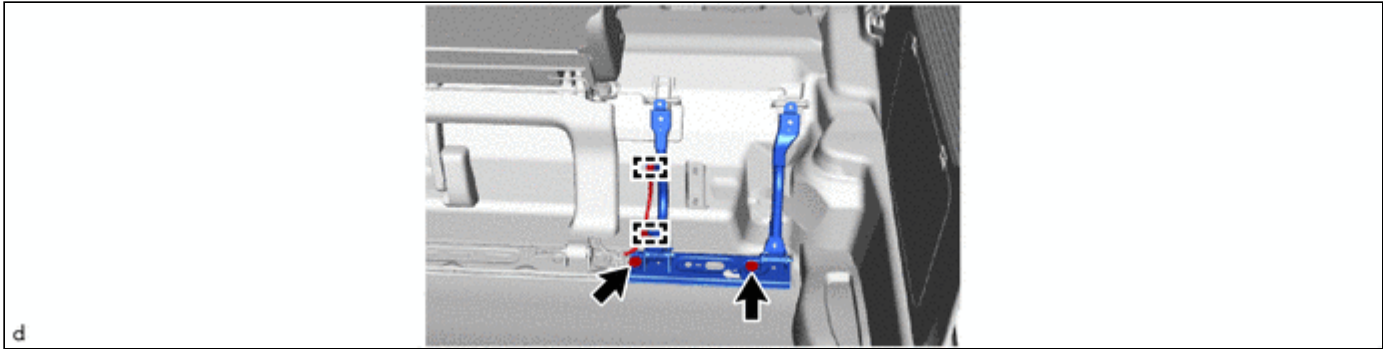
NOTICE:

- 2 or more people are required when carrying the rear No. 2 seat assembly RH out of the vehicle.
- Be careful not to damage the vehicle body.

4. REMOVE REAR NO. 2 SEAT LEG SIDE GARNISH SUB-ASSEMBLY

Click here [INFO](#)

5. REMOVE FOLD REAR SEAT LEG SUB-ASSEMBLY RH



6. REMOVE NO. 1 SEAT LEG BOX PROTECTOR

Click here [INFO](#)