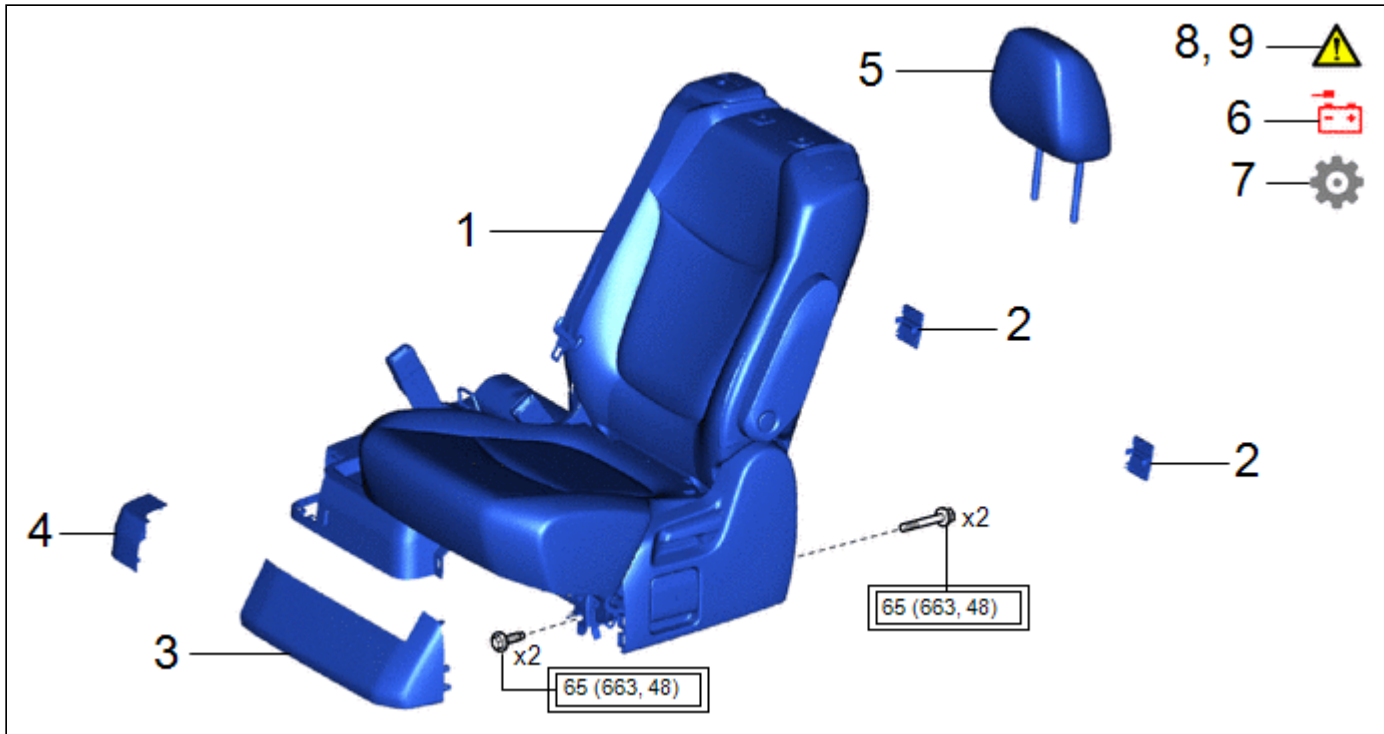





Last Modified: 05-04-2021	6.10:8.0.50	Doc ID: RM100000001NUE1
Model Year Start: 2021	Model: Sienna HV	Prod Date Range: [11/2020 -]
Title: SEAT: REAR NO. 1 SEAT ASSEMBLY (for 60/40 Split Seat Type LH Side): INSTALLATION; 2021 MY Sienna HV [11/2020 -]		




INSTALLATION


CAUTION / NOTICE / HINT

COMPONENTS (INSTALLATION)



PROCEDURE		PART NAME CODE			
1	REAR NO. 1 SEAT ASSEMBLY LH	-		-	-
2	REAR NO. 1 SEAT CUSHION LOWER SHIELD	71H73A	-	-	-
3	REAR SEAT CUSHION LOWER SHIELD LH	71874X	-	-	-
4	REAR SEAT CUSHION LOWER CENTER SHIELD	71H74F	-	-	-
5	NO. 1 SEAT HEADREST ASSEMBLY LH	71940G	-	-	-
6	CONNECT CABLE TO NEGATIVE AUXILIARY BATTERY TERMINAL	-	-	-	-
7	PERFORM SYSTEM INITIALIZATION AND CALIBRATION	-	-	-	-
8	PERFORM DIAGNOSTIC SYSTEM CHECK	-	-	-	-

PROCEDURE		PART NAME CODE			
9	INSPECT SRS WARNING LIGHT	-		-	-

	Tightening torque for "Major areas involving basic vehicle performance such as moving/turning/stopping" : N*m (kgf*cm, ft.*lbf)	-	-
---	---	---	---

CAUTION / NOTICE / HINT

CAUTION:

- Be sure to read Precaution thoroughly before servicing.

Click here [INFO](#)

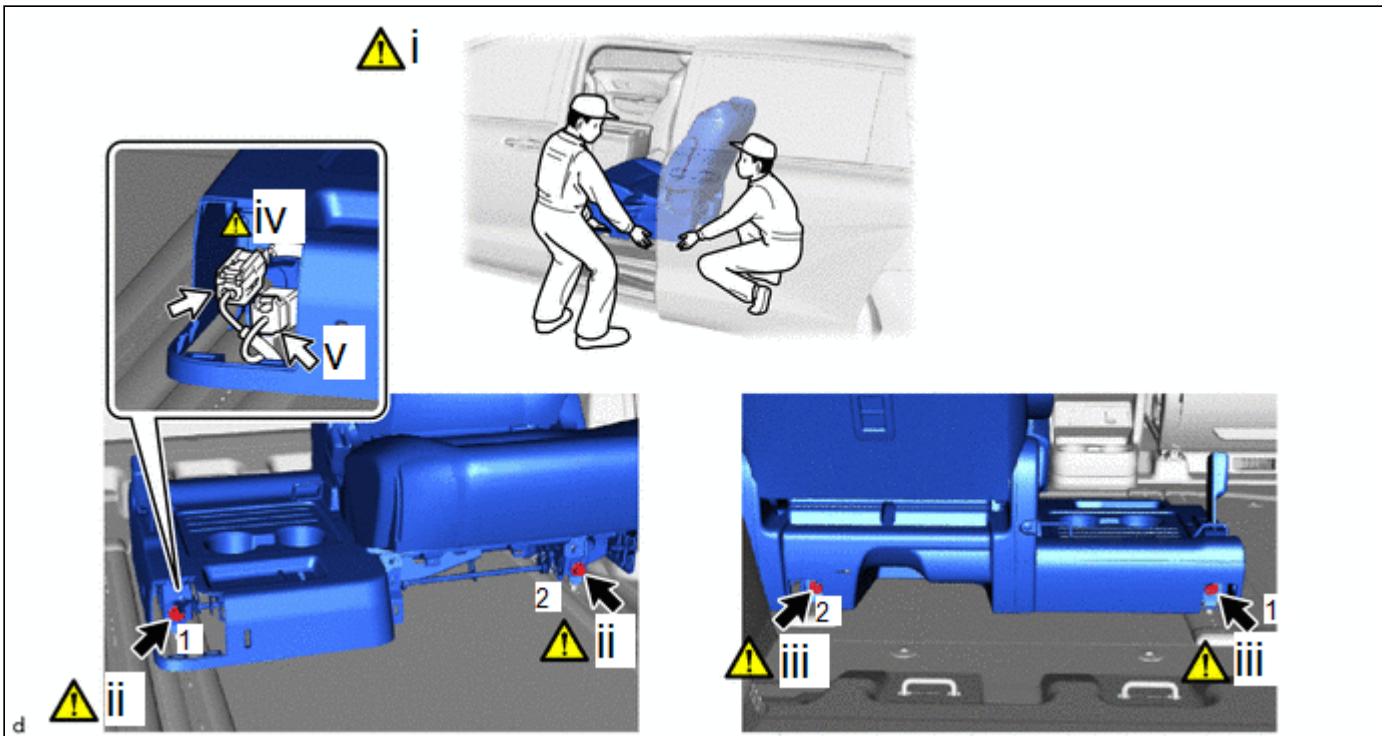


- Wear protective gloves. Sharp areas on the parts may injure your hands.



PROCEDURE

1. INSTALL REAR NO. 1 SEAT ASSEMBLY LH



(1) Place the rear No. 1 seat assembly LH in the cabin.

NOTICE:

- 2 or more people are required when carrying the rear No. 1 seat assembly LH out of the vehicle.
- Be careful not to damage the vehicle body.

(2) Install the 2 bolts on the front side of the rear No. 1 seat assembly LH.

Torque:

65 N·m {663 kgf·cm, 48 ft·lbf}

NOTICE:

Tighten the bolts in the order shown in the illustration.

(3) Install the 2 bolts on the rear side of the rear No. 1 seat assembly LH.

Torque:

65 N·m {663 kgf·cm, 48 ft·lbf}

NOTICE:

Tighten the bolts in the order shown in the illustration.

(4) Connect the rear seat airbag assembly connector under the rear No. 1 seat assembly LH.

HINT:

Refer to How to Connect or Disconnect Airbag Connector.

Click here [INFO](#)

(5) Connect the connector.

2. INSTALL REAR NO. 1 SEAT CUSHION LOWER SHIELD

3. INSTALL REAR SEAT CUSHION LOWER SHIELD LH

4. INSTALL REAR SEAT CUSHION LOWER CENTER SHIELD

5. INSTALL NO. 1 SEAT HEADREST ASSEMBLY LH


6. CONNECT CABLE TO NEGATIVE AUXILIARY BATTERY TERMINAL

Click here [INFO](#)


7. PERFORM SYSTEM INITIALIZATION AND CALIBRATION

Click here [INFO](#)

8. PERFORM DIAGNOSTIC SYSTEM CHECK

	Click here INFO
---	---------------------------------

9. INSPECT SRS WARNING LIGHT

	Click here INFO
---	---------------------------------