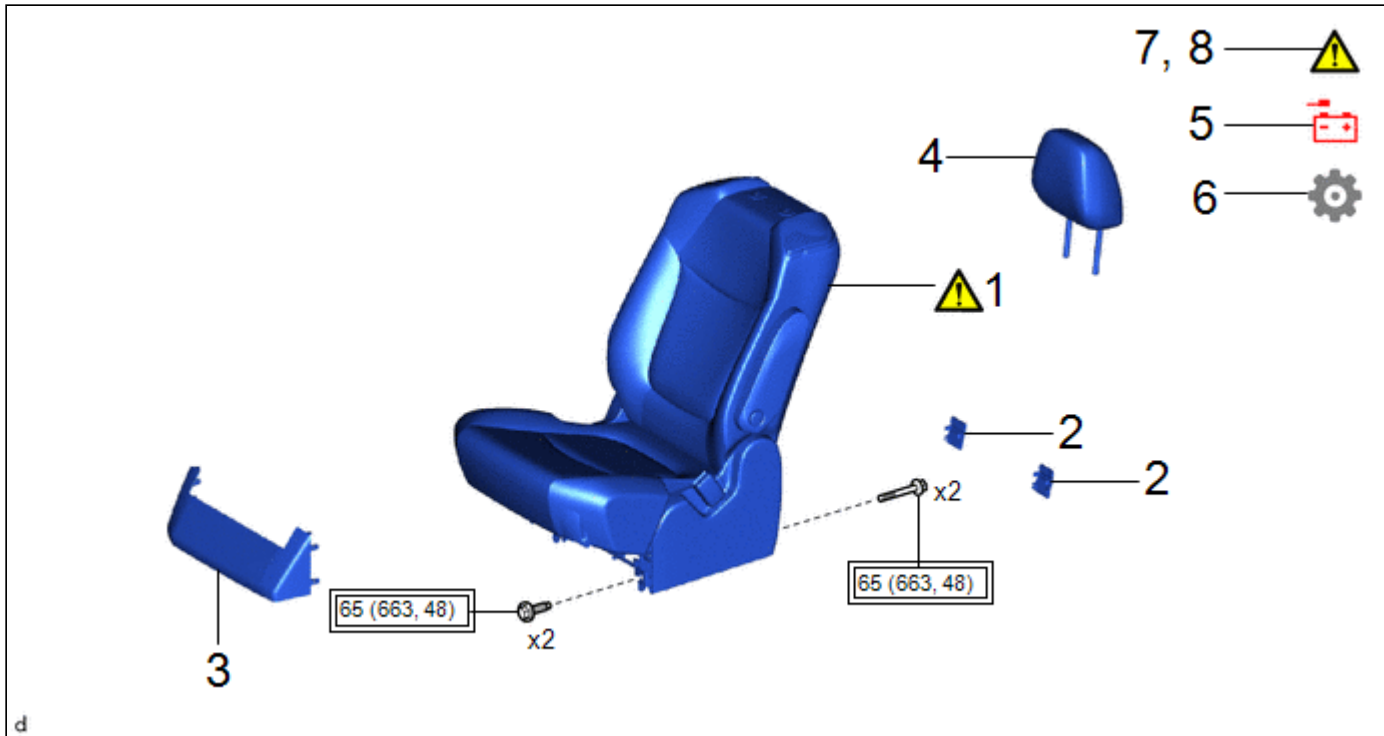





Last Modified: 05-04-2021	6.10:8.0.50	Doc ID: RM100000001NUE5
Model Year Start: 2021	Model: Sienna HV	Prod Date Range: [11/2020 -]
Title: SEAT: REAR NO. 1 SEAT ASSEMBLY (for 60/40 Split Seat Type RH Side): INSTALLATION; 2021 MY Sienna HV [11/2020 -]		

INSTALLATION

CAUTION / NOTICE / HINT

COMPONENTS (INSTALLATION)



PROCEDURE		PART NAME CODE			
1	REAR NO. 1 SEAT ASSEMBLY RH	-		-	-
2	REAR NO. 1 SEAT CUSHION LOWER SHIELD	71H73A	-	-	-
3	REAR SEAT CUSHION LOWER SHIELD	71873Y	-	-	-
4	NO. 1 SEAT HEADREST ASSEMBLY RH	71940F	-	-	-
5	CONNECT CABLE TO NEGATIVE AUXILIARY BATTERY TERMINAL	-	-	-	-
6	PERFORM SYSTEM INITIALIZATION AND CALIBRATION	-	-	-	
7	PERFORM DIAGNOSTIC SYSTEM CHECK	-		-	-
8	INSPECT SRS WARNING LIGHT	-	INFO	-	-



Tightening torque for "Major areas involving basic vehicle performance such as moving/turning/stopping" : N*m (kgf*cm, ft.*lbf)

- -

CAUTION / NOTICE / HINT

CAUTION:

- Be sure to read Precaution thoroughly before servicing.

Click here [INFO](#)

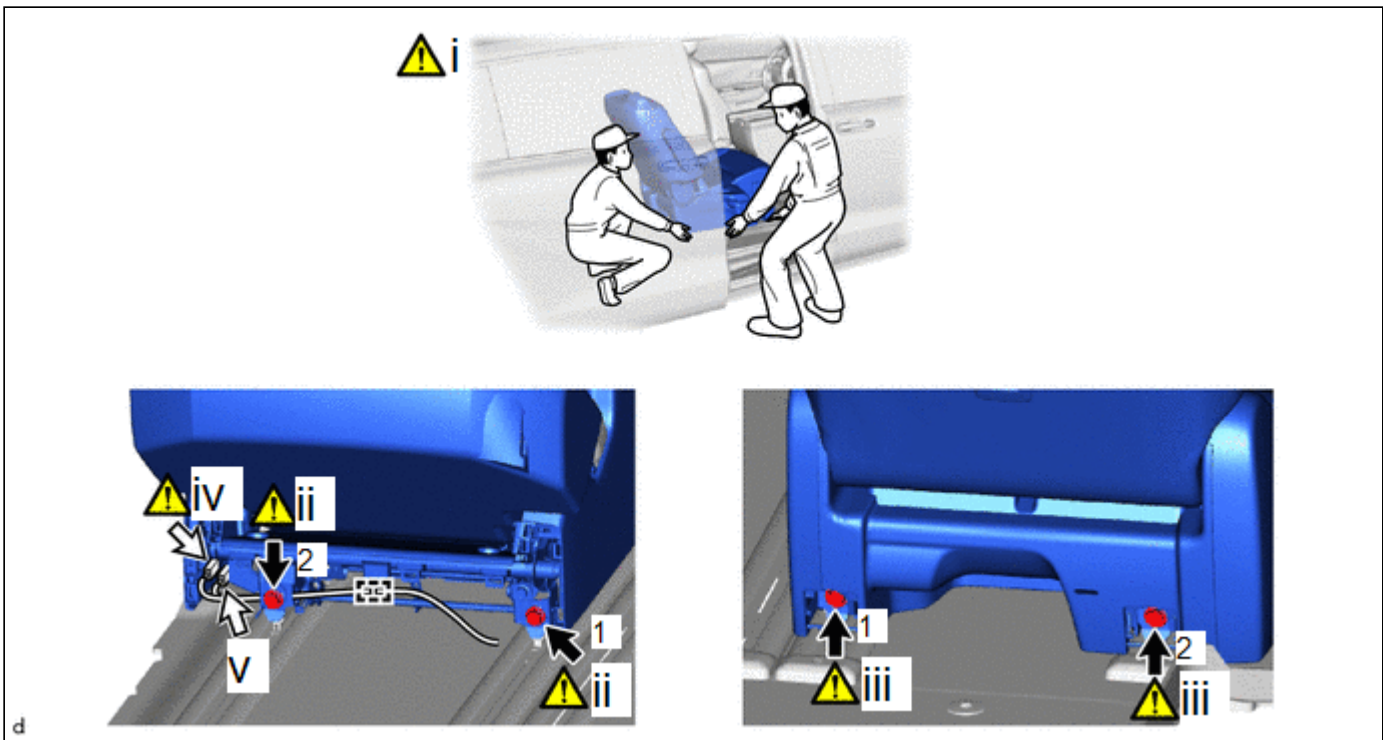


- Wear protective gloves. Sharp areas on the parts may injure your hands.



PROCEDURE

1. INSTALL REAR NO. 1 SEAT ASSEMBLY RH



(1) Place the rear No. 1 seat assembly RH in the cabin.

NOTICE:

- 2 or more people are required when carrying the rear No. 1 seat assembly RH.
- Be careful not to damage the vehicle body.

(2) Install the 2 bolts on the front side of the rear No. 1 seat assembly RH.

Torque:

65 N·m {663 kgf·cm, 48 ft·lbf}

NOTICE:

Tighten the bolts in the order shown in the illustration.

(3) Install the 2 bolts on the rear side of the rear No. 1 seat assembly RH.

Torque:

65 N·m {663 kgf·cm, 48 ft·lbf}

NOTICE:

Tighten the bolts in the order shown in the illustration.

(4) Connect the rear seat airbag assembly connector under the rear No. 1 seat assembly RH.

HINT:

Refer to [How to Connect or Disconnect Airbag Connector](#).

Click here [INFO](#)

(5) Connect the connector.

2. INSTALL REAR NO. 1 SEAT CUSHION LOWER SHIELD

3. INSTALL REAR SEAT CUSHION LOWER SHIELD

4. INSTALL NO. 1 SEAT HEADREST ASSEMBLY RH

5. CONNECT CABLE TO NEGATIVE AUXILIARY BATTERY TERMINAL

Click here [INFO](#)


6. PERFORM SYSTEM INITIALIZATION AND CALIBRATION

Click here [INFO](#)

7. PERFORM DIAGNOSTIC SYSTEM CHECK

	Click here INFO
---	---------------------------------

8. INSPECT SRS WARNING LIGHT

	Click here INFO
---	---------------------------------