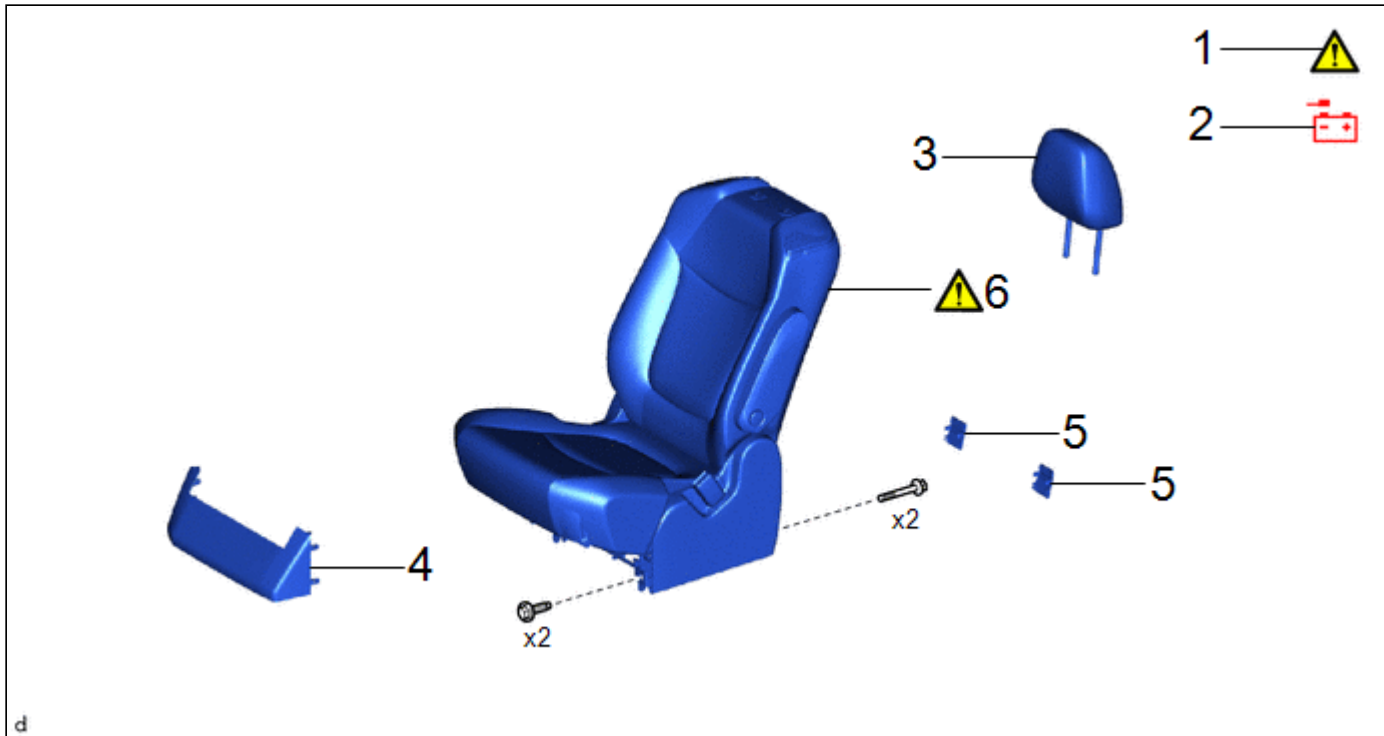





Last Modified: 05-04-2021	6.10:8.0.50	Doc ID: RM100000001NUE2
Model Year Start: 2021	Model: Sienna HV	Prod Date Range: [11/2020 -]
Title: SEAT: REAR NO. 1 SEAT ASSEMBLY (for 60/40 Split Seat Type RH Side): REMOVAL; 2021 MY Sienna HV [11/2020 -]		

REMOVAL

CAUTION / NOTICE / HINT

COMPONENTS (REMOVAL)



PROCEDURE		PART NAME CODE			
1	PRECAUTION	-		-	-
2	DISCONNECT CABLE FROM NEGATIVE AUXILIARY BATTERY TERMINAL	-	-	-	-
3	NO. 1 SEAT HEADREST ASSEMBLY RH	71940F	-	-	-
4	REAR SEAT CUSHION LOWER SHIELD	71873Y	-	-	-
5	REAR NO. 1 SEAT CUSHION LOWER SHIELD	71H73A	-	-	-
6	REMOVE REAR NO. 1 SEAT ASSEMBLY RH	-		-	-

CAUTION / NOTICE / HINT

The necessary procedures (adjustment, calibration, initialization, or registration) that must be performed after parts are removed and installed, or replaced during rear No. 1 seat assembly removal/installation are shown below.

Necessary Procedures After Parts Removed/Installed/Replaced

REPLACED PART OR PERFORMED PROCEDURE	NECESSARY PROCEDURE	EFFECT/INOPERATIVE FUNCTION WHEN NECESSARY PROCEDURE NOT PERFORMED	LINK
Disconnect cable from negative auxiliary battery terminal	Memorize steering angle neutral point	Parking Assist Monitor System	INFO
		Panoramic View Monitor System	INFO
	Reset slide door close position	Power Slide Door System	INFO
	Reset back door close position	Power Back Door System	INFO

HINT:

When the cable is disconnected / reconnected to the auxiliary battery terminal, systems temporarily stop operating. However, each system has a function that completes learning the first time the system is used.

- Learning completes when vehicle is driven

EFFECT/INOPERATIVE FUNCTION WHEN NECESSARY PROCEDURES ARE NOT PERFORMED	NECESSARY PROCEDURES	LINK
Lane tracing assist system	Drive the vehicle straight ahead at 35 km/h (22 mph) or more for 5 second or more.	INFO
Pre-collision system		

- Learning completes when vehicle is operated normally

EFFECT/INOPERATIVE FUNCTION WHEN NECESSARY PROCEDURES ARE NOT PERFORMED	NECESSARY PROCEDURES	LINK
Power slide door system	Fully close the slide door by hand. HINT: Initialization is not necessary if the above procedures are performed while the slide door is closed.	INFO
Power back door system	Fully close the back door by hand. HINT: Initialization is not necessary if the above procedures are performed while the back door is closed.	INFO
Power door lock control system	If the back door is locked and therefore cannot be opened, it is necessary to unlock the back door using the door control switch, electrical key transmitter sub-assembly switch.	INFO
Air conditioning system	After the ignition switch is turned to ON, the servo motor standard position is recognized.	-

PROCEDURE

1. PRECAUTION

	CAUTION:
--	-----------------



- Be sure to read Precaution thoroughly before servicing.

Click here [INFO](#)



H

- Wear protective gloves. Sharp areas on the parts may injure your hands.



H

NOTICE:

- If the rear seat airbag assembly has been deployed, replace the rear seat airbag assembly, No. 1 seatback frame sub-assembly RH, rear No. 1 seatback pad RH and rear No. 1 seatback cover sub-assembly RH with the necessary parts in accordance with the extent of the collision damage.
- After turning the ignition switch off, waiting time may be required before disconnecting the cable from the negative (-) auxiliary battery terminal. Therefore, make sure to read the disconnecting the cable from the negative (-) auxiliary battery terminal notices before proceeding with work.

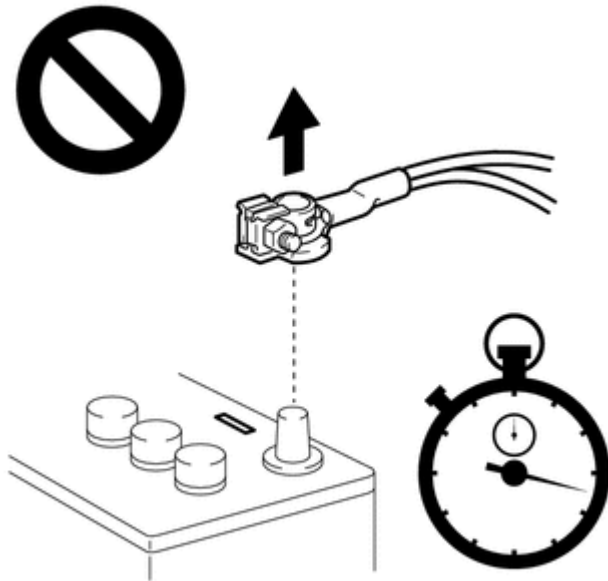
Click here [INFO](#)

2. DISCONNECT CABLE FROM NEGATIVE AUXILIARY BATTERY TERMINAL



CAUTION:

Wait at least 60 seconds after disconnecting the cable from the negative (-) auxiliary battery terminal to disable the SRS system.



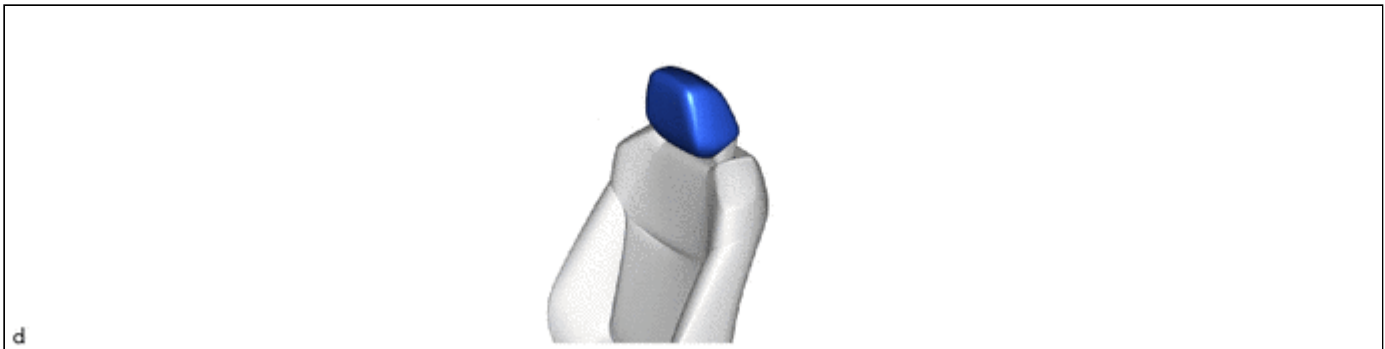
NOTICE:

When disconnecting the cable, some systems need to be initialized after the cable is reconnected.

Click here [INFO](#)

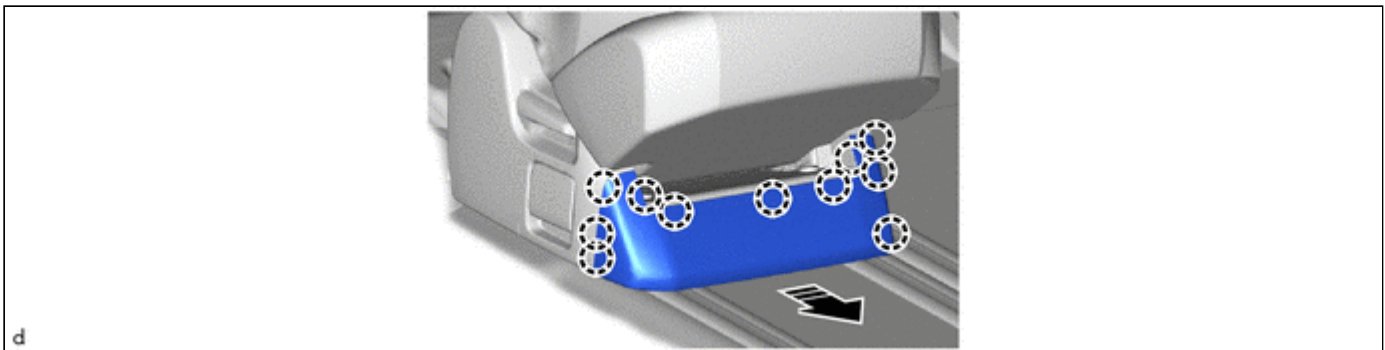
Click here [INFO](#)

3. REMOVE NO. 1 SEAT HEADREST ASSEMBLY RH



d

4. REMOVE REAR SEAT CUSHION LOWER SHIELD

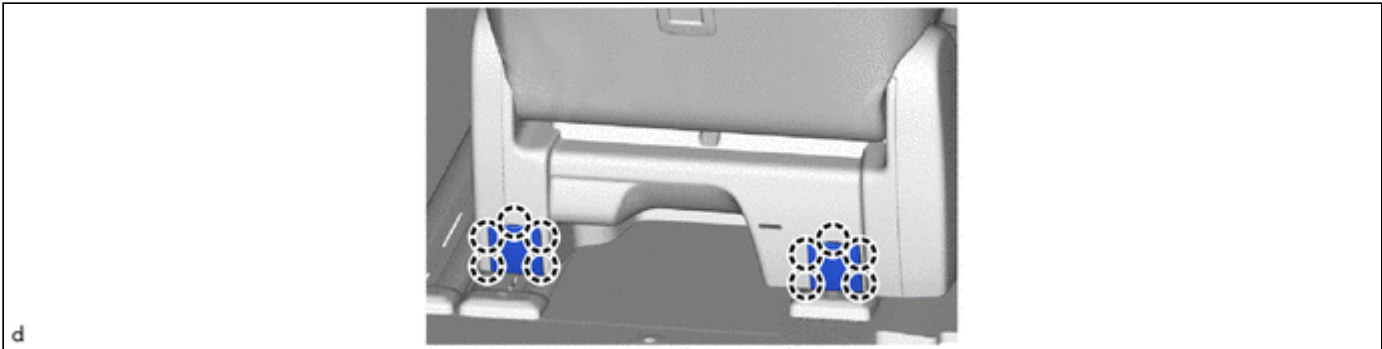


d

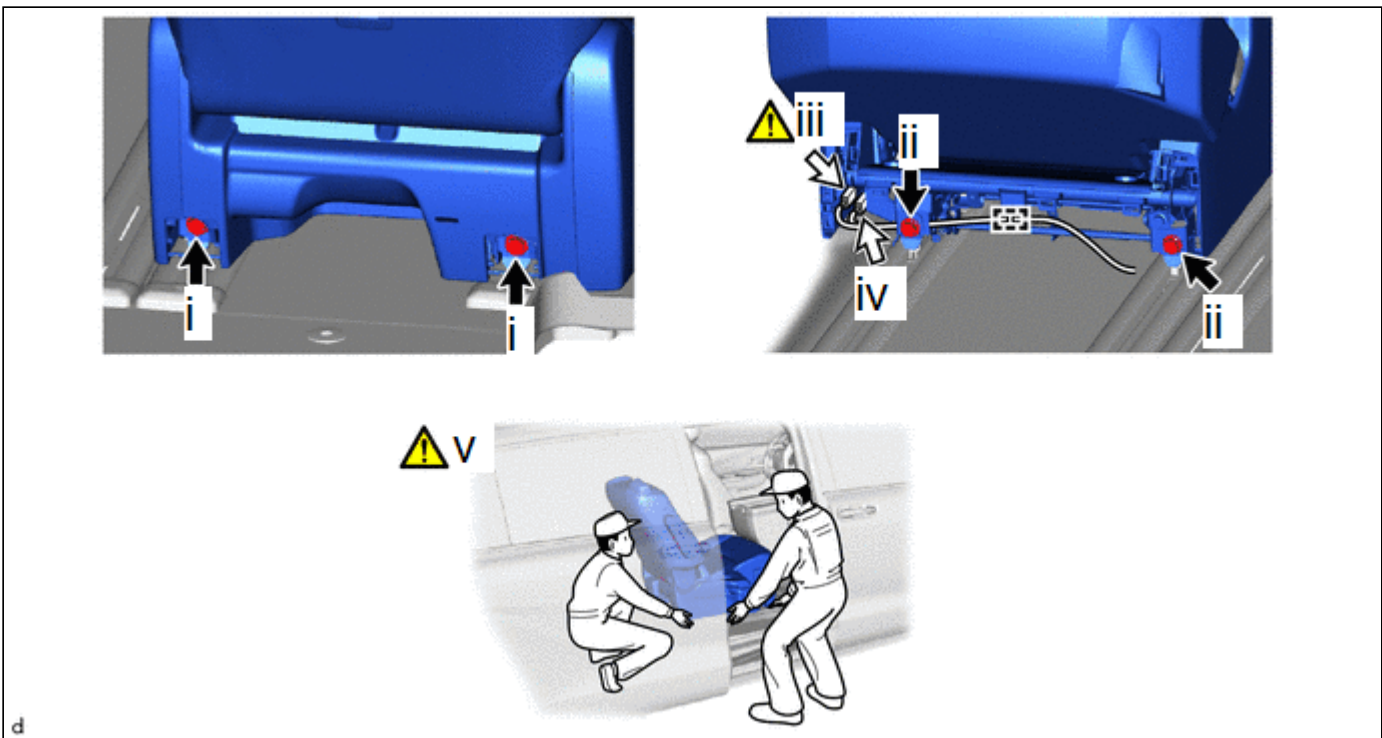
	Remove in this Direction	-	-
--	--------------------------	---	---



5. REMOVE REAR NO. 1 SEAT CUSHION LOWER SHIELD



6. REMOVE REAR NO. 1 SEAT ASSEMBLY RH



- (1) Remove the 2 bolts on the rear side of the rear No. 1 seat assembly RH.
- (2) Remove the 2 bolts on the front side of the rear No. 1 seat assembly RH.
- (3) Disconnect the rear seat airbag assembly connector under the rear No. 1 seat assembly RH.

NOTICE:

When disconnecting any airbag connector, take care not to damage the airbag wire harness.

HINT:

Refer to [How to Connect or Disconnect Airbag Connector](#).

Click here [INFO](#)

- (4) Disconnect the connector.
- (5) Remove the rear No. 1 seat assembly RH.

NOTICE:

- 2 or more people are required when carrying the rear No. 1 seat assembly RH out of the vehicle.
- Be careful not to damage the vehicle body.

